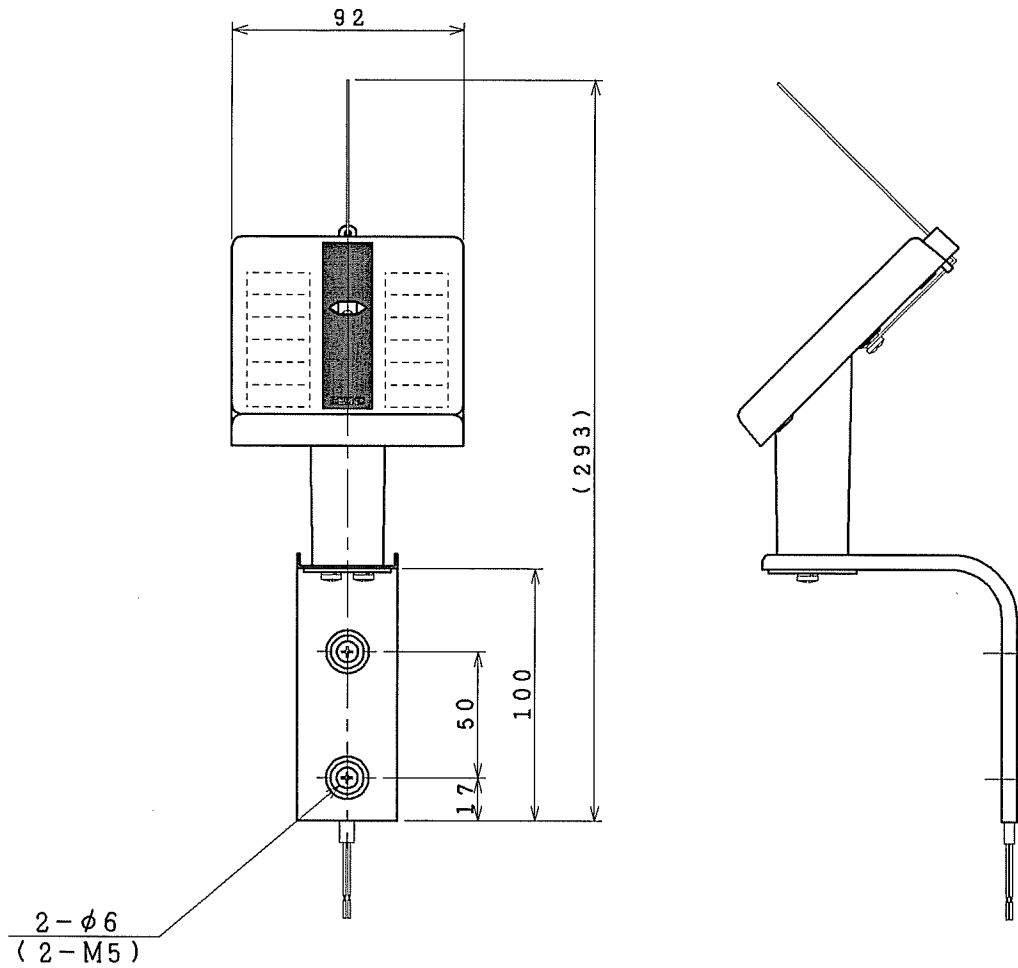


4-28592

Mark	Date	Revised No.	Remarks	Issued
DRN	03.11.17	-	4-22700	AIYOSH
1	. .	-		
2	. .	-		
3	. .	-		



	APPD	APPD	CKD	DN	DR	1/3	SOLAR BATTERY UNIT for 1300mAh
		S. SHIMAZAKI					OUTSIDE VIEW
	SEIKO TIME SYSTEMS INC.					3RD ANGLE PROJ	4-28592